



9500 *Plus* Series & 8510 Board Level Pulse Generator Operating Manual



QUANTUM COMPOSERS, INC

212 Discovery Drive

Bozeman, MT 59718

Phone: (406)582-0227

Fax: (406)582-0237

www.quantumcomposers.com

Contents

Introduction	6
Technical Support	6
Warranty.....	6
Package Contents	6
Safety Issues	7
CE/UKCA Declaration of Conformity.....	8
Model 851x Series Board Level CE/UKCA Conformance	8
Front Panel Overview	9
Display Layout and Indicators.....	9
Description of Front-Panel Area	9
Keypads	9
Rotary Adjustment Knob.....	10
Pulse Concepts and Operation	11
Counter Architecture Overview	11
System Timer Functions	11
Channel Timer Functions	11
Output Multiplexer	12
Dependent & Independent Timing Events	12
Navigating the 9500+ Front Panel.....	12
Selecting Menus	12
Selecting Menu Items	13
Numeric Input Mode	13
Entering Non-Numeric Parameters	13
Alphanumeric Input Mode.....	13
Enabling System Output.....	14
Enable/Disable Channel Output.....	14
Rearming the Channel Timers.....	14
Setting Pulse Timing Parameters	14
Setting Pulse Output Parameters.....	15
Using the Output Multiplexer	15
Setting System Internal Rate.....	15
9500+ Menus	16
9500+ Menu Structure	16
System Mode Menu.....	18

Setting System Mode of Operation.....	18
Channel Menus	18
Enabling Channel Output	19
Setting the Channel Timing Parameters	20
Setting Pulse Output Configuration	20
Setting Pulse Mode of Operation	20
Setting Pulse Gate Control.....	21
Delaying the Start of Channel Output.....	21
Rate Menu	21
Setting the Internal Rate.....	21
Gate/Trig Menu.....	21
Enabling System Trigger or Gate.....	22
System Menu	22
Setting System Communication Parameters.....	22
Setting Keypad Parameters	22
Setting the Auto Start Mode.....	23
Setting the Display Decimal Mark.....	23
Setting the Display Brightness	23
Store Menu.....	23
Storing a Configuration	23
Recall Menu.....	23
Recalling System Configurations	24
Operating the 9500+.....	24
Quick Start - Normal Internal Rate Generator Operation.....	24
Quick Start - Normal External Trigger Operation	24
System Timer Overview	25
To Use Continuous Mode	25
To Use Single Shot Mode.....	25
To Use System Burst Mode Function	25
To Use System Duty Cycle Function	26
Channel Timer Overview	26
To Use Channel Normal Mode Function	26
To Use Channel Single Shot Function	27
To Use Channel Burst Mode Function.....	27
To Use the Channel Duty Cycle Function	27
To Use the Channel Gating Function	28

External Input Overview	28
To Generate a Pulse on Every Trigger Input	28
To Generate a Burst of Pulses on Every Trigger Input	28
To Start a Continuous Stream of Pulses Using the External Trigger	29
To use the External Gate to Control the System	29
Programming the 9500+	31
Personal Computer to Pulse Generator Communication.....	31
RS232 Interface Overview	31
GPIB Interface Overview	31
USB Interface Overview	31
Ethernet Interface Overview.....	33
Programming Command Types and Format.....	33
Line Termination.....	33
IEEE 488.2 Common Command Format.....	34
SCPI Command Keywords.....	34
SCPI Command Format	34
SCPI Format	35
SCPI Keyword Separator.....	35
SCPI Optional Keywords	35
SCPI Specific and Implied Channel	35
SCPI Parameter Types.....	36
Error Codes	36
Programming Examples.....	37
9500+ SCPI Command Summary.....	38
IEEE 488.2 Common Commands	42
Appendix A - Specifications	43
Appendix B - Special Functions.....	45
35 Volt Output.....	45
T Option	46
Optical Outputs and Inputs.....	49
System Mode: Increment	49
Reference Clock.....	50
Trigger/Gate Option.....	52
Appendix C - COM	53
Ethernet Interface Overview.....	53
Appendix D – 8510 Option	54

8510 Board Level Overview 54
Mounting & Communications..... 54
Required Connections 54
Board Level Connection Information 55

Introduction

This manual is a reference designed to familiarize you with the Quantum Composers 9500+ pulse generator and is arranged so that you can easily find the information you're looking for. Generally, each topic has its own section and no section assumes that you've read anything else in the manual.

Technical Support

For questions or comments about operating the 9500+ --- our technical staff can be reached via one of the following methods:

- Phone - (406) 582-0227
- Fax - (4406) 582-0237
- Internet - www.quantumcomposers.com

Warranty

In addition to a 30-day money back guarantee, the 9500+ has a one-year limited warranty from the date of delivery. This warranty covers defects in materials and workmanship. Quantum Composers will repair or replace any defective unit. Contact us for information on obtaining warranty service.

Package Contents

The box you receive should contain the following:

- 9500+ Pulse Generator
- AC Power Cord
- User's Manual on Disc

Contact Quantum Composers (406) 582-0227 if any parts are missing.

Safety Issues

Normal use of test equipment presents a certain amount of danger from electrical shock because testing must be performed where exposed voltage is present.

An electrical shock causing 10 milliamps of current to pass through the heart will stop most human heartbeats. Voltage as low as 35 VDC or RMS AC should be considered dangerous and hazardous since it can produce a lethal current under certain conditions. Higher voltages pose an even greater threat because such voltage can easily produce a lethal current. Your normal work habits should include all accepted practices that will prevent contact with exposed high voltage, and steer current away from your heart in case of accidental contact with a high voltage. You will significantly reduce the risk factor if you know and observe the following safety precautions:

- If possible, familiarize yourself with the equipment being tested and the location of its high-voltage points. However, remember that high voltage may appear at unexpected points in defective equipment.
- Do not expose high voltage needlessly. Remove housing and covers only when necessary. Turn off equipment while making test connections in high voltage circuits. Discharge high voltage capacitors after shutting down power.
- When testing AC powered equipment, remember that AC line voltage is usually present on power input circuits, such as the on-off switch, fuses, power transformer, etc.
- Use an insulated floor material or a large, insulated floor mat to stand on, and an insulated work surface on which to place equipment. Make certain such surfaces are not damp or wet.
- Use the time-proven “one hand in the pocket” technique while handling an instrument probe. Be particularly careful to avoid contact with metal objects that could provide a good ground return path.
- Never work alone. Someone should always be nearby to render aid if necessary. Training in CPR first aid is highly recommended.

CE/UKCA Declaration of Conformity



MANUFACTURERS DECLARATION OF CONFORMITY

Application of Council Directive(s) EMC Directive 2004/108/EC
Low Voltage Directive 2006/95/EC
Directive 2011/65/EU

Manufacturer's Name Quantum Composers, Inc.

Manufacturer's Address 212 Discovery Drive
Bozeman, Montana 59718

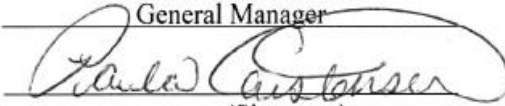
Model Name 9500+

Year of Manufacture 2005

Conformance to EN 61326-1:2013
EN 61010-1:2010
EN 50581:2012

We, the undersigned, hereby declare that the equipment specified above conforms to the above Directive(s).

Location Bozeman, Montana Representative Name Paula Carstensen

Date January 1, 2015 Title General Manager

(Signature)

Model 851x Series Board Level CE/UKCA Conformance

The Model 851x Series Board Level Pulse Generators are considered to be a component which will be installed into a final equipment. All EMC tests of the Model 851x Series have been executed by mounting the unit into an aluminium enclosure and supplied by an AC/DC power supply Meanwell PD-25B (as mounted in the Quantum Composers Model 9500+ Series Pulse Generators, www.quantumcomposers.com/support). The final equipment must be re-confirmed that it still meets EMC directives

Front Panel Overview

(Not applicable on the 8510 board level series)

Display Layout and Indicators

A 4 line x 20 character vacuum fluorescent display module displays parameters and status information. The status information is located in the upper-left corner of the display, between the two brackets. There are three enunciators:

- Vertical Arrow Indicates there are additional pages to the current menu.
- Blinking Light Indicates the unit is actively generating pulses, or armed and waiting for an external trigger.
- Musical Note Indicates the function key has been pressed.

The upper-right side of the display contains the title of the currently displayed menu. The rest of the display is used for system parameters. The display brightness may be adjusted, allowing the instrument to be used under various lighting conditions.

Description of Front-Panel Area

Keypads

Three keypad areas provide fast access to various menus and easy editing of system parameters.

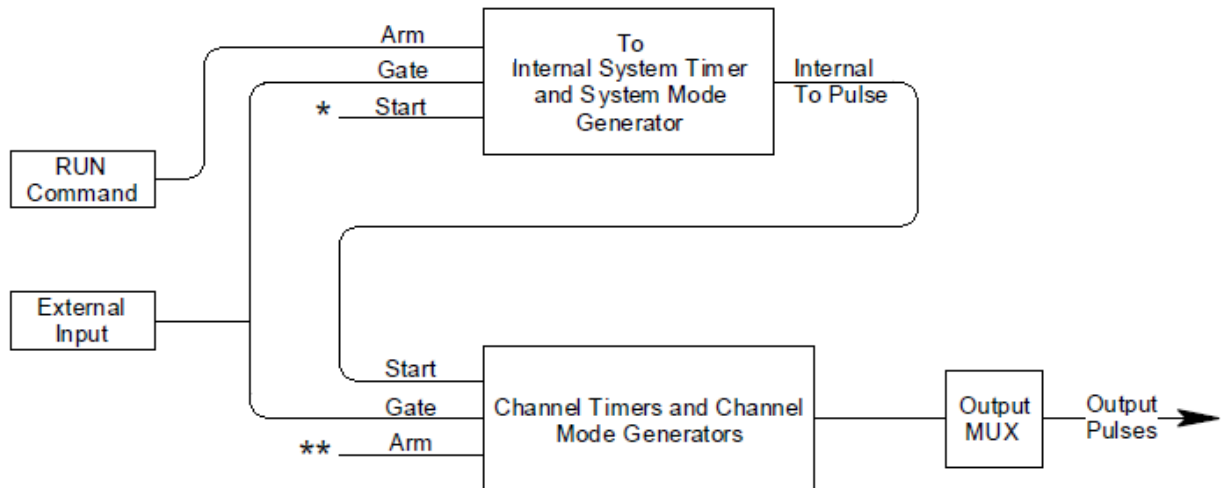
- Channel Keypad Provides one touch access to the menus for setting up the channel parameters. Pressing the appropriate letter will display the parameters for the corresponding channel.
- Arrow Keypad The up/down arrows are used to increment/decrement the current parameter (indicated by the blinking cursor). The position of the cursor controls the step size for each increment. The right/left arrow moves the cursor to different positions within the current parameter. The **NEXT** key selects the next parameter in the currently displayed menu. The yellow Function key allows the keys to select the yellow functions.
- Numeric Keypad Allows numbers and alphanumeric values to be entered. When entering alphanumeric values, pressing a key will display the first letter shown on the key. Repeated key presses will toggle through all the letters, both upper and lower case, shown on the keycap. To select the first character, then use the right arrow to shift to the next position and enter the next letter. When data entry is complete the ENTER key must be pressed.

Rotary Adjustment Knob

An alternate to the Arrow Keypad, the Rotary Adjustment Knob may be used to adjust the current parameter. The step size is controlled by the position of the cursor, however turning the knob faster will increase the step size. Pushing the knob will perform functions similar to the NEXT key and switch to the next parameter in the currently displayed menu.

Pulse Concepts and Operation

Counter Architecture Overview



*Start source is: RUN button in Internal Modes
External input in External Trigger modes
*TRG command via Serial/GPIB access

**Channels are armed by the RUN button. In single shot and burst modes channels may be rearmed by pressing the RUN button.

System Timer Functions

The System Timer functions as a non-retriggerable, multi-vibrator pulse generator. This means that once started, depending on the mode, the timer will produce pulses continuously. Before pulses can be generated, the timer must be armed and then receive a start pulse. Arming the counter is done by pressing the RUN/STOP key. With external trigger disabled, the RUN/STOP key also generates the start command for the counter. With external trigger enabled, the external trigger provides the start pulse. In either case, once started, the counter operation is determined by the System Mode Generator. Standard modes include:

- Continuous: Once started, T_0 pulses are generated continuously.
- Single Shot: One T_0 pulse is generated for each start command.
- Burst: 'n' T_0 pulses are generated for each start command.
- Duty Cycle: Once started, T_0 pulses cycle on and off continuously.

The T_0 pulses are distributed to all of the start inputs of the Channel Timers and Mode Generators.

Channel Timer Functions

The Channel Timer functions as a non-retriggerable, delayed, one shot pulse generator. This means that the timer will only generate one delayed pulse for every start pulse received. Once the channel timer has started counting, additional start pulses will be ignored until the

pulse has been completed (non-retriggerable). The start pulse for each channel is provided by the internal T_0 pulse generated by the Internal System Timer. Whether or not a pulse is generated for each T_0 pulse is determined by the Channel Mode Generator. Standard modes include:

- Normal: A pulse is generated for each T_0 pulse.
- Single Shot: One pulse is generated at the first T_0 pulse, after which output is inhibited.
- Burst: A pulse is generated for each T_0 pulse, 'n' times, after which output is inhibited.
- Duty Cycle: 'n' pulses are generated for each T_0 pulse after which the output is inhibited for 'm' times. The cycle is then repeated.

Different modes may be selected for each output, allowing a wide variety of output combinations. Each output may also be independently disabled or gated (using the external trigger input).

Output Multiplexer

The output of the Channel Timers is routed to a set of multiplexers. This allows routing of any or all Channel Timers to any or all of the unit outputs. In the normal mode of operation, the output of the nth Channel Timer is routed to the nth output connector. As an example, if a double pulse is required on Channel A output, one can multiplex the Channel A timer with the Channel B timer adjusting each timer to provide the necessary pulses.

Dependent & Independent Timing Events

The 9500+ allows the user to control the relationship between the Channel Timers by setting the sync source for each timer. Independent events are all timed relative to the internal T_0 start pulse. Dependent events may be linked together by setting the sync source to the controlling event. This allows the instrument to match the timed events and adjustments can be made in one event without detuning the timing between it and a dependent event.

Navigating the 9500+ Front Panel

Selecting Menus

Parameters are grouped in menus, selectable using the function keys. To select the output channel parameters press the letter key corresponding to the desired channel. To select other menus press the FUNCTION key and then the key corresponding to the desired function.

Menus may include a number of different pages in which each page contains up to four parameters. The status block in the upper-left corner of the display shows a vertical arrow if the current menu contains additional pages. To select the next page, select the same menu pressing the FUNCTION key and function again.

Selecting Menu Items

Within a menu, the blinking cursor indicates the current menu item for editing. The NEXT key or pressing the adjustment knob will select a different menu item.

Numeric Input Mode

When the current item is numeric, the system enters the Numeric Input Mode. In this mode data may be edited in one of three ways. Using the arrow keypad, the Left and Right arrow keys are used to select a digit to edit. The selected digit blinks to identify itself as the active digit. The Up and Down arrow keys are then used to increment or decrement this digit. Alternately, after using the Left and Right arrow keys to select an active digit, the adjustment knob may be used to increment and decrement this digit. The adjustment knob features speed dependent resolution. Slow rotation will increment or decrement the active digit by one. As you increase the speed of rotation, the parameter will be 10 to 1000 times faster depending on the speed.

The last entry mode is using the numeric keypad. Enter the number, including decimal point using the numeric keypad. Complete the number using the ENTER key. Errors may be corrected using the backspace key. To start over, press the clear key (CLR). Pressing the CLR key a second time will exit the numeric keypad mode and restore the original number.

Entering Non-Numeric Parameters

When the current item is non-numeric, the Up and Down arrow keys are used to select among different options for the parameter. The adjustment knob may also be used to change the selection. If the item is an on-off toggle, the Up arrow (CW adjustment knob) enables the item and the Down arrow (CCW adjustment knob) disables the item.

Alphanumeric Input Mode

When the current item is alphanumeric, the system enters the Alphanumeric Input Mode. In this mode, data is entered using the alphanumeric keypad. When entering alphanumeric values, pressing a key will display the first letter shown on the keypad. Repeated key presses will toggle through all the letters, both upper and lower case, shown on the key cap. To enter two letters which appear on the same key cap, select the first character, then use the right arrow to shift to the next position and enter the next letter. The Left and Right arrow keys may be used to position the cursor to edit any character. When data entry is complete, the ENTER key must be pressed. The keys contain the following characters:

- 1 1 2 3 4 5 6 7 8 9 0
- 2 A B C a b c 2
- 3 D E F d e f 3

- 4 GHIghi4
- 5 JKLjkl5
- 6 MNOMno6
- 7 PQRSpqrs7
- 8 TUVtuv8
- 9 WXYZwxyz9
- 0 0123456789
- . , # \$ % & ?
- - + * / space

Enabling System Output

The RUN/STOP key is used to arm the system. With the external trigger disabled, the key will arm and start pulse output. With external trigger enabled, the key will arm the pulse generator. Pulse output then starts after the first valid trigger input. Pressing the RUN/STOP key a second time disables the pulse generator.

Enable/Disable Channel Output

At the top of each channel menu page is a parameter to enable or disable the output of the channel. Each channel may be individually enabled or disabled.

Rearming the Channel Timers

In the channel single shot mode and burst mode, the Channel Timers may be rearmed after completing the initial output by pushing the Function key and RUN/ STOP key. If there are channels currently running in normal mode, single shot and burst channels can be re-armed without affecting the timing on normal mode channels by pressing function RUN/STOP.

Setting Pulse Timing Parameters

Pulses are defined by a delay, from their sync or start pulse to the active edge, and a width.

Wid: Sets the width of the active portion of the pulse.

Dly: Sets the delay from the sync source to the start of the pulse.

NOTE: If $Wid + Dly + 75ns$ (hardware reset time) $> T0$ Period, *the correct* pulsewidth will be generated but at a slower rate.

Setting Pulse Output Parameters

There are two types of output available on the 9500+: (a) TTL/CMOS compatible high speed output; (b) adjustable amplitude output. The best system performance, accuracy and jitter is achieved using the TTL/CMOS output. The adjustable output has a 50 ohm drive impedance and will produce 2 - 20 volts unloaded.

Out:	Selects between TTL/CMOS mode and Adjustable mode output.
Pol:	Sets the polarity of the pulse, active high or active low. Note: All outputs are positive voltages. Negative voltages are not supported.
Ampl:	In adjustable mode, it sets the unloaded output voltage. The actual output voltage will depend on the load impedance. For example: If the load is 50 ohms, the output will be 50% of the stated voltage.

Using the Output Multiplexer

Each output channel includes a multiplexer which allows routing any or all of the timer outputs to the physical output. This allows double pulses and other complex pulse trains to be generated. Two channel units allow for multiplexing of two additional internal channels. To adjust parameters for these additional channels ("C" and "D"), press "Function" and "A" or "Function" and "B".

Mux: -HGFEDCBA-
 -00000101-

As shown above, the multiplexer is represented by a "n" bit binary number in which "n" is the number of channels. Each bit represents a channel timer, which is enabled by setting the bit to one. In the above example, timers A and C are combined on the current output.

Setting System Internal Rate

The internal T_0 period controls the fundamental output frequency of the system. Each channel may operate at submultiples of the fundamental frequency using their duty cycle mode.

T_0 Per: Sets the internal T_0 Period

To set the system Internal Rate, press the yellow 'Function' key, then press the 'Rate' key, and then use the dial or number pad to specify ' T_0 Per'.

9500+ Menu

(Physical access of any display menu is not possible on the 8510 board level series.)

9500+ Menu Structure

System MODE Menus

T₀ Mode	T₀ Mode	T₀ Mode	T₀ Mode
MODE: Continuous	MODE: Single Shot	MODE: Burst	MODE: Duty Cycle
			On Cycle
		# / Burst	Off Cycle

CHANNEL Menus

Timing Parameters	Pulse Configuration	Channel Mode	Gated Operation	Multiplexer
Enable	Enable	Enable	Enable	Enable
Sync Source	Polarity	Mode		Help Line
Pulsewidth	Output Type	On Cycle	Gate Enable	Mux
Delay	Output Level	Off Cycle / Burst	Wait	

RATE Menu

To Period
To Period

GATE/TRIG Menus

Gate/Trigger Mode	Gate/Trigger Mode	Gate/Trigger Mode
MODE: Disabled	MODE: Triggered	MODE: Gated
THRESHOLD	THRESHOLD	THRESHOLD
	EDGE	POLARITY

SYSTEM Menu

Comm. Parameters	Keypad Parameters	Misc. Parameters
Baud Rate	Key Repeat Rate	Auto Start
Echo Enable	Key Volume	Decimal Mark
GPIB Address	Knob Volume	LCD Brightness

STORE Menu

Store Menu
Configuration #
Name
Help Line

RECALL Menu

Recall Menu
Configuration #
Name
Help Line

System Mode Menu

T_0 Mode	T_0 Mode	T_0 Mode	T_0 Mode
MODE: Continuous	MODE: Single Shot	MODE: Burst	MODE: Duty Cycle
			On Cycle
		# / Burst	Off Cycle

Setting System Mode of Operation

The MODE menu sets T_0 system timer mode. The menu will show the extra set parameters (Burst, On & Off) only when they are appropriate.

- Mode: Selects the T_0 mode: Continuous, Single Shot, or Duty Cycle mode.
- Burst: Sets the number of pulses to be generated when in Burst mode
- On: Sets the number of pulses to be generated during each on cycle.
- Off: Sets the number of pulses to skip each during off cycle when in the Duty Cycle mode.

**NOTE: Any mode may be started by either the RUN/STOP key in the internal trigger mode or armed by the RUN/STOP key and started by an external trigger in Gate/Trig menu in the external trigger mode. In the single shot and burst modes, (internally triggered) the unit disarms itself at the end of the pulse train. Pressing the RUN/STOP key after the unit has been disarmed will generate a new pulse train.*

Channel Menus

Timing Parameters	Pulse Configuration	Pulse Configuration	Pulse Configuration	Pulse Configuration
Enable	Enable	Enable	Enable	Enable
Sync Source	Polarity	Mode		Help Line
Pulsewidth	Output Type	On Cycle	Gate Enable	Mux
Delay	Output Level	Off Cycle / Burst	Wait	

Enabling Channel Output

At the top of each of the channel menu pages is a parameter to enable or disable the channel. Each channel may be individually controlled.

Setting the Channel Timing Parameters

To define a pulse requires three parameters: The sync source, the delay to the active edge, and the width of the pulse. Although each channel receives its start pulse from the internal T_0 pulse, logically the start pulse can be assigned such that the delay entered is relative to the T_0 pulse or any other channel pulse. This allows dependent events to link. The unit will not allow a circular chain of sync sources that would result in a channel triggering itself. The delay entered is relative to the selected sync source.

Sync Source:	Selects the channel sync source.
Wid:	Sets the channel pulsewidth.
Dly:	Sets the channel delay until the active edge.

Setting Pulse Output Configuration

The 9500+ supports two types of outputs: a high speed TTL/CMOS compatible output; and, for applications which require different voltage levels or higher current, an adjustable voltage output. The pulses can also be defined to be active high or active low.

Pol:	Sets the pulse polarity, active high or active low. Out:
	Selects the output mode, TTL/CMOS or Adjustable
Ampl:	Sets the output voltage level (unloaded) when in the Adjustable mode.

Setting Pulse Mode of Operation

Each channel may be set independently to operate in one of four modes: normal, single shot, burst, or duty cycle (within the CHANNEL menus):

- Mode: Selects the mode for the current channel. Additional parameters are provided for the burst mode and the duty cycle mode.
- Burst: Sets the number of pulses in the burst mode to generate before inhibiting output.
- On: Sets the number of pulses to generate before inhibiting output in Duty Cycle Mode.
- Off: Sets the number of pulses to inhibit before repeating the On Cycle in Duty Cycle Mode.

Setting Pulse Gate Control

Enables the use of the external input to gate the channel output (within the CHANNEL menu):

- Gate: Enables/disables the channel gating using the EXT/GATE input. Enables the gate by selecting either active high or active low. This function is independent of any other use of the trigger input. Care should be taken to ensure that all uses of the trigger input are compatible.

NOTE: The gate function disables the channel from being triggered by the T_0 pulse. To prevent partial pulses from being generated, the gate does not disable the channel timers. Thus, if a pulse has already started when the gate disables the channel, the pulse will continue normal output but will not restart on the next T_0 pulse.

Delaying the Start of Channel Output

Within any channel mode, the output of the channel can be delayed using the wait parameter (within the CHANNEL menu):

- Wait: Sets the number of T_0 pulses to wait until enabling the channel output.

Rate Menu

T_0 Period
T_0 Period

Setting the Internal Rate

The T_0 period, which determines the fundamental frequency of the unit, is controlled by an internal timer.

T_0 Per: Sets the T_0 Period.

Gate/Trig Menu

Gate/Trigger Mode	Gate/Trigger Mode	Gate/Trigger Mode
MODE: Disabled	MODE: Triggered	MODE: Gated
THRESHOLD	THRESHOLD	THRESHOLD
	EDGE	POLARITY

Enabling System Trigger or Gate

Enables the use of the trigger input by the system timer as a trigger source or a gate source (within the Gate/Trig menu):

- EXTin: Selects between disabling the use of external inputs and setting the system trigger mode to trigger or gate mode.
- Level: Sets the trigger threshold.
- Gate: Selects between active high and active low when the gate mode is selected.
- Edge: Selects between rising edge and falling edge as the trigger source when the trigger mode is selected.

**NOTE: When the gate disables the System Timer, the timer is reset. The gate edge, to enable the timer, will restart the System Timer which synchronizes the T_0 pulse to the gate and minimizes jitter relative to the gate. The trigger threshold applies to all uses, channel and system, of the trigger/gate input.*

System Menu

Comm. Parameters	Keypad Parameters	Misc. Parameters
Baud Rate	Key Repeat Rate	Auto Start
Echo Enable	Key Volume	Decimal Mark
GPIB Address	Knob Volume	LCD Brightness

Setting System Communication Parameters

The 9500+ comes with a standard RS232 serial port, USB and GPIB port. The unit will not respond to computer commands unless these ports are properly configured.

- Baud Rate: Selects the baud rate for the db9 RS232 interface.
- Echo: Selects whether to echo characters back to the host computer or not.
- GPIB Addr: Sets the GPIB address.

Setting Keypad Parameters

The rate at which a key will repeat itself when pressed down may be set. This can be used to provide a controlled rate at which a parameter is incremented. In addition, the volume of the beep can be controlled for both the keypad and the adjustable knob.

- Key Rate: Sets the rate at which the keys will repeat when held down.
- Key Vol: Sets the beep volume for the keypad.

Knob Vol: Sets the beep volume for the Rotary Knob.

Setting the Auto Start Mode

The unit may be configured to automatically start generating pulses after power up.

Setting the Display Decimal Mark

Mark: Selects the format of the decimal mark, "." or ",".

Setting the Display Brightness

LCD: Adjusts display brightness.

Store Menu

Store Menu
Configuration #
Name
Help Line

Storing a Configuration

Use the following procedure to store a complete system configuration:

- Set all parameters to the desired value.
- Select a configuration number.

**NOTE: You cannot store to the zero location, as that contains the factory default values.*

- Label the configuration as desired.
- From the Store menu, press the store button sequence (function + store).

**NOTE: When the unit powers up it will recall the last stored or recalled configuration. Any changes to the configuration which were not saved are not restored.*

Recall Menu

Recall Menu
Configuration #
Name
Help Line

Recalling System Configurations

Use the following procedure to recall a stored or default system configuration:

- Enter the Recall Menu (function + recall).
- Select a configuration number.
- From the Recall Menu, press the recall key sequence (function + recall).

**Note: Configuration 0 is the factory default setting.*

Operating the 9500+

Quick Start - Normal Internal Rate Generator Operation

The 9500+ has a powerful set of functions providing a number of modes of operation for the internal or "System" rate generator (T_0). Most of these functions can be ignored if all one wants to do is generate a simple continuous stream of pulses. Starting from the default settings, which can be recalled by recalling configuration 0, the following parameters need to be set:

Pulse Width, Delay:	Enter the Channel menus by pressing the letter key. Enter the required pulse width and delay. Repeat for each output channel.
T_0 Period:	Enter the Rate menus by pressing the FUNCTION key and then the RATE key. Set the desired pulse period. Note that in general, the pulse delay, plus the pulse width, plus a 75ns hardware reset constant, for any channel must be less than the T_0
Start:	Press the RUN/STOP key to start generating pulses.
Stop:	Press the RUN/STOP key a second time to stop generating pulses.

Quick Start - Normal External Trigger Operation

To generate a single pulse for every external trigger event, based on the default configuration 0, the following parameters need to be set:

System Mode:	Enter the MODE menu by pressing the FUNCTION key and then the MODE key. Select Single Shot mode.
EXTin:	Enter the GATE/TRIG menu by pressing the FUNCTION key and then the GATE/TRIG key. Press the NEXT key until the EXTin parameter is highlighted. Select triggered.
Level:	Press the NEXT key until the Level parameter is displayed. Set the trigger threshold voltage to

approximately 50% of the trigger signal amplitude.

- Edge: Press the NEXT key until the Edge parameter is highlighted. Set the instrument to trigger off the rising edge or falling edge as desired.
- Pulse Width, Delay: Enter the Channel menus by pressing the letter key. Enter the required pulse width and delay. Repeat for each output channel.
- Start: Press the RUN/STOP key to start/arm the instrument. The 9500+ will now generate a pulse for every valid trigger.
- Stop: Press the RUN/STOP key a second time to stop/disarm the instrument (i.e. to stop generating pulses).

System Timer Overview

For internal operation, the 9500+ contains a timer and mode generator which generates an internal T_0 clock that is used to trigger all the channel timers. System modes are controlled via the MODE menu.

To Use Continuous Mode

The RUN/STOP button starts and stops a continuous pulse stream at the rate specified by the Rate menu. This corresponds to the normal output mode for most pulse generators. To generate a continuous stream of pulses:

- Within the system MODE menu

Mode: Select Continuous for the system mode.

- Within the RATE menu

Period: Set the desired period.

Pressing the RUN/STOP key will now generate a stream of T_0 pulses, at a rate specified by the period parameter

To Use Single Shot Mode

To generate a single pulse with every press of the RUN/STOP key:

- Within the system Mode menu

Mode: Select Single Shot for the system mode.

Pressing the RUN/STOP key will now generate a single pulse.

To Use System Burst Mode Function

The RUN/STOP button generates a stream of "n" T_0 pulses, where "n" is specified by

the Burst parameter. The rate is specified in the Rate menu. Pressing the RUN/STOP button while the burst is in process will stop the output. After the burst has been completed, pressing the RUN/STOP button will generate another burst. To generate a burst of pulses:

- Within the system MODE menu

Mode: Select the Burst mode.

Burst: Set the number of pulses to produce in the burst.

To Use System Duty Cycle Function

The RUN/STOP button starts a continuous pulse stream which oscillates on for the “n” pulses and off for “m” pulses, where “n” and “m” are specified by the On and Off parameters, respectively. The rate is specified in the Rate Menu. To generate a stream of pulses which oscillates on the ‘n’ pulses and off for ‘m’ pulses.

- Within the system MODE menu

Mode: Select the Duty Cycle mode.

On: Set the number of pulses to produce during the on cycle.

Off: Set the number of pulses to skip during the off cycle.

-Within the RATE menu

Period: Set desired Period.

Channel Timer Overview

The output of each channel is controlled by two timers to generate the delay timing and the pulsewidth. All channels are simultaneously triggered, depending on the system mode, by either the internal T_0 pulse, the external trigger, or a trigger provided by the CPU. A given channel may or may not generate a pulse depending on its own channel mode as described below.

When one channel is generating a continuous stream of pulses, a user can trigger a single shot or burst of pulses on another channel without interrupting the continuous stream by pressing “FUNCTION” and “RUN/STOP”.

To Use Channel Normal Mode Function

The Normal mode generates a continuous stream of pulses at a rate determined by the system timer:

- Within the Channel menus

Enable: Select Enable to enable channel output.

Dly: Set the desired delay.

Wid: Set the desired pulsewidth.

Mode: Select the Normal mode.

Pressing the RUN/STOP key will now generate a continuous stream of pulses.

To Use Channel Single Shot Function

The Single Shot mode generates a single pulse every time the RUN/STOP key is pressed. If the unit is in the active state, (i.e. channels which are set to the Normal mode are producing pulses), pressing the Function key and RUN/STOP key will reset the Single Shot counters and generate one pulse in sync with the other channels running in the Normal mode. To use the Single Shot mode:

- Within the Channel menus

Enable: Select Enable to enable channel
output. Delay: Set the desired delay.
Width: Set the desired
pulsewidth. Mode: Select the Single shot
mode.

To Use Channel Burst Mode Function

The Burst mode generates a burst of pulses every time the RUN/STOP key is pressed. If the unit is in the active state, (i.e. channels which are set to the Normal mode are producing pulses), pressing the "FUNCTION - RUN/STOP" key sequence will reset the Burst counters and generate a new set of pulses in sync with the other channels running in the Normal mode. "FUNCTION - RUN/STOP" will not affect T_0 pulse status. To use the Burst mode:

-Within the Channel menus

Enable: Select Enable to enable channel
output. Delay: Set the desired delay.
Width: Set the desired
pulsewidth. Mode: Select the Burst mode.
#/Burst: Set the number of pulses to produce in the
burst.

To Use the Channel Duty Cycle Function

To generate a stream of pulses which oscillates on for 'n' pulses and off for 'm' pulses:

- Within the Channel menus

Enable: Select Enable to enable channel
output. Delay: Set the desired delay.
Width: Set the desired
pulsewidth. Mode: Select the Duty Cycle
mode.
On Cycle: Set the number of pulses to produce during
the on cycle.
Off Cycle: Set the number of pulses to skip during the off
cycle.

Note: Older Quantum Composers pulse generators had a divide-by-n

function. The duty cycle mode is a more general case. To reproduce the divide-by-n function, set the on cycle to 1 and set the off cycle to (n-1), where "n" is the divide-by-n factor.

To Use the Channel Gating Function

Each channel may use the external input to gate or control its output. The gate controls the triggering of the channel. Once a channel has started to produce a pulse it will complete the pulse, even if the gate has been removed. No partial pulses will be produced. To use the gate, set the following parameters

- Within the Gate/Trig menu

Level: Set the threshold voltage for the external input.

- Within the Channel menu

Gate: Select active high or active low.

External Input Overview

The external input may be used to trigger the unit or to gate the system or channel timers. When used as a trigger input, the external input acts as a system start pulse. Depending on the system mode, the result of a trigger input can be either a single pulse, a burst of pulses or the start of a stream of pulses.

To Generate a Pulse on Every Trigger Input

To generate a pulse on every external trigger received, set the following parameters:

- Within the Mode menu:

Mode: Select the Single Shot mode.

- Within the Gate/Trig menu:

EXTin: Select Triggered mode.

Level: Set the trigger threshold level.

Edge: Select which edge, rising or falling, to trigger on.

Pressing the RUN/STOP key will arm the unit. Once the unit is armed, it will generate a T_0 pulse for every external trigger received. Pressing the RUN/STOP key will disarm the unit. This mode corresponds to the normal external trigger mode found on most other pulse generators.

To Generate a Burst of Pulses on Every Trigger Input

To generate a burst of pulses for every external trigger received set the following parameters:

-Within the Mode menu

Mode: Select the Burst mode.

Burst: Set the number of pulses to generate in each burst.

- Within the Rate menu
 - Per: Set the period between pulses.
- Within the Gate/Trig menu
 - EXTin: Select Triggered mode.
 - Level: Set the trigger threshold level.
 - Edge: Select which edge, rising or falling, to trigger on.

Pressing the RUN/STOP key will arm the unit. Once the unit is armed, it will generate a set of pulses for every external trigger received. The unit is reset at the end of a burst and will generate another set of pulses upon receiving a new trigger. Triggers that occur in the middle of a burst are ignored. Pressing the RUN/STOP key will disarm the unit.

To Start a Continuous Stream of Pulses Using the External Trigger

The external trigger may be used to start the unit generating pulses:

- Within the Mode menu
 - Mode: Select the Continuous mode.
- Within the Rate menu
 - Per: Set the period between pulses.
- Within the Gate/Trig menu
 - EXTin: Select the Trigger mode.
 - Level: Set the trigger threshold level.
 - Edge: Select which edge, rising or falling, to trigger on.

Pressing the RUN/STOP key will arm the unit. Once the unit is armed, it will begin generating pulses after an external trigger is received. Triggers that occur after the pulses start are ignored. Pressing the RUN/STOP key a second time will disarm the unit.

To use the External Gate to Control the System

The external trigger may be used to control the output of the unit. To gate the system timer:

- Within the Mode menu
 - Mode: Select the desired mode.
- Within the Rate menu
 - Per: Set the period between pulses.
- Within the Gate/Trig menu
 - EXTin: Select Gated mode.

Level: Set the gate threshold level.
Gate: Select active high or active low.

Pressing the RUN/STOP key will arm the unit. Once the unit is armed, it will begin generating pulses whenever the external trigger input is in the active state. When the gate is in the active state, the system timer is reset. Pulses that have already started when the gate enters the inactive state will continue until the pulse is complete. Pressing the RUN/STOP key a second time will disarm the unit.

Programming the 9500+

Personal Computer to Pulse Generator Communication

The 9500+ comes standard with an RS232 serial interface, USB and GPIB interface. An Ethernet interface is available as an option that would replace the USB interface. All menu settings can be set and retrieved over the computer interface using a simple command language. The command set is structured to be consistent with the Standard Commands for Programmable Instruments. Although due to the high number of special features found in the 9500+, many of the commands are not included in the specification. The syntax is the same for all interfaces.

RS232 Interface Overview

The serial port is located on the back of the 9500+ and uses a 9-pin D-type connector with the following pinout (as viewed from the back of the unit):

1	No Connection
2	Tx - Transmit (to computer)
3	Rx - Receive (from computer)
4	DTR - Connected to pin 6
5	Ground
6	DSR - connected to pin 4
7	RTS - connected to pin 8
8	CTS - connected to pin 7
9	No Connection

The serial port parameters should be set as follows:

Baud Rate	4800, 9600 19200, 38400, 57600, 115200
Data Bits	8
Parity	None
Stop Bits	1

GPIB Interface Overview

Also known as IEEE-488 computer interface is standard on the 9500+. Before using this interface, the address must be set using the GPIB address menu item. The command set is the same for the RS-232, GPIB and USB (or Ethernet). Different interfaces may be used at the same time. Responses will be made to the most recently used interface. Beginning with Firmware Version 1.18, the "Echo" functionality is not available on the GPIB, USB or Ethernet port.

USB Interface Overview

The USB interface is standard on the 9500+. Before this type of communication can be used, the appropriate drivers must be installed on the personal computer (pc). These drivers are included on the CD that was shipped with your unit. Please contact Quantum Composers for updated installation files and instructions.

USB communication is achieved by using a mapped (virtual) COM port on the pc. The driver installation executable will obtain an unused COM port number, install the USB drivers, and make that COM port number available for typical RS232 communication to the pulse generator. HyperTerminal or other common software may be used.

When communicating through the mapped COM port over USB, the baud rate for the communication port used by the USB chip must match the baud rate for the COM port on the pc. Access to the USB port baud rate is done using the SCPI command “:SYSTem:COMMunicate:SERial:USB n” command, where ‘n’ is the desired communication speed. This parameter can be accessed via any communication method except through the front panel.

USB communication notes:

- The correct drivers must be installed on the personal computer before communication can be accomplished via USB.
- The BAUD rates on the pc and on the pulse generator must match for successful communication.
- The USB port’s BAUD rate on the pulse generator can be set using the SCPI command “:SYSTem:COMMunicate:SERial:USB n” where ‘n’ can be:
 - 4800
 - 9600
 - 19200
 - 38400
 - 57600
 - 115200
- The BAUD rate that is accessible from the front panel of the pulse generator applies only to the BAUD rate used by the db9 serial port. SCPI command access to this port is via the command “:SYSTem:COMMunicate:SERial:BAUD n” where ‘n’ has the same acceptable rates as for the USB port.
- USB 1.0 specification is used. The USB cable can be removed without “unplugging” the device in the operating system environment.
- Echo functionality is not available on the USB port.

Ethernet Interface Overview

An Ethernet interface is optional on the 9500+. When this option is chosen, the USB port is replaced by the Ethernet port.

The Ethernet module used is a “Digi Connect ME” module supplied by Digi Connectware, Inc. There are several ways to successfully communicate with the pulse generator over Ethernet. The two most popular methods are raw TCP/IP (such as Labview or programming with VISA libraries) and by mapping a pc COM port using the Digi Connectware’s “Realport Drivers”.

Whatever method of Ethernet communication is ultimately desired, the utilities supplied by Digi Connectware (included on the CD shipped with the Ethernet- option pulse generator) will be critical to implementing the communications. Please install these utilities.

Ethernet communication notes:

- The Digi Connectware’s “Digi Device Discovery” can be used to determine what IP address was assigned by the local DHCP server (if any).
- “Digi Device Discovery” can also be used to open a web interface to the Ethernet module. Simply double-click on the IP address that is displayed in the Digi Device Discovery utility.
 - Username: "root"
 - Password: "dbps"
- If a mapped COM port is the desired communication method, the Digi Connectware’s “Realport Drivers” setup must be used to install the COM port on the pc. This virtual COM port is then local to the computer it was installed on. Please refer to the Digi Connectware documentation supplied on the CD, or call Quantum Composers technical support.
- The pulse generator’s SCPI parameter “:SYSTem:COMMunicate:SERial:USB n” is defaulted to 115200 and should not be changed for Ethernet communication, whether or not a mapped COM port is used. The virtual COM port on the pc should be set to 115200 BAUD.
- Echo functionality is not available on the Ethernet port.

Programming Command Types and Format

The 9500+ Pulse Generator uses two types of programming commands: IEEE 488.2 Common Commands and Standard Commands for Programmable Instruments (SCPI). The format is the same for all interfaces. HyperTerminal (in Windows) or any other generic terminal program may be used to interactively test the commands using the RS232 interface. The format of each type is described in the following paragraphs.

Line Termination

The pulse generator uses text-style line terminations. When a command is sent to the unit,

the firmware is programmed to read characters from a communication port until it reads the line termination sequence. The command string is parsed and executed after reading these characters. These characters are the “carriage return” and “linefeed”. They are ASCII character set values 13 and 10 respectively (hex 0x0D and 0x0A). All command strings need to have these characters appended.

When the pulse generator responds to a command, whether it is a query or a parameter change, it also appends its return strings with these characters. Coded applications could use this behavior to know when to stop reading from the unit. However, if the “echo” parameter is enabled, there will be two sets of line terminators, one following the echoed command string, and one following the pulse generator’s response.

Note: The pulse generator will echo commands on the DB9 serial port only.

The pulse generator responds to every communication string. If the communication string is a query, the unit responds with the queried response (or error code) followed by the line terminators. If the communication string is a parameter change, the response is “ok” (or error code) followed by the line terminators. For this reason, it is not recommended that multiple commands be stacked together into single strings as is common with some other types of instruments. It is recommended that the coded application send a single command in a string and follow immediately by reading the response from the unit. Repeat this sequence for multiple commands.

IEEE 488.2 Common Command Format

The IEEE 488.2 Common Commands control and manage generic system functions such as reset, configuration storage and identification. Common commands always begin with the asterisk (*) character and may include parameters. The parameters are separated from the command mnemonic by a space character. For Example:

```
*RST      <cr> <lf>  
*RCL 1    <cr> <lf>  
*IDN?     <cr> <lf>
```

SCPI Command Keywords

The commands are shown as a mixture of upper and lower case letters. The upper case letters indicate the abbreviated spelling for the command. You may send either the abbreviated version or the entire keyword. Upper and/or lower case characters are acceptable.

For example, if the command keyword is given as POLarity, then POL and POLARITY are both acceptable forms; truncated forms such as POLAR will generate an error; polarity, pol, and PolAriTy are all acceptable as the pulse generator is not case sensitive.

SCPI Command Format

SCPI commands control and set instrument specific functions such as setting the pulsewidth, delay and period. SCPI commands have a hierarchical structure composed of functional

elements that include a header or keywords separated with a colon, data parameters and terminators. For example:

SCPI Format

```
:PULSE1:STATE ON           <cr> <lf>
:PULSe1:WIDTh 0.000120     <cr> <lf>
:PULSe:POL NORMal         <cr> <lf>
```

Any parameter may be queried by sending the command with a question mark appended. For example:

- QUERY FORMAT

```
:PULSE1:STATE?
Will return:  1 <cr><lf>

:PULSE1:WIDT? <cr><lf>
Will return:  0.000120000 <cr><lf>

:PULSE1:POL? <cr><lf>
Will return:  NORM <cr><lf>
```

SCPI Keyword Separator

A colon (:) must always separate one keyword from the next lower-level key- word. A space must be used to separate the keyword header from the first parameter. If more than one parameter is used, you must separate subsequent parameters with a comma.

SCPI Optional Keywords

Optional keywords and/or parameters appear in square brackets ([]) in the command syntax. Note that the brackets are not part of the command and should not be sent to the pulse generator. When sending a second level key- word without the optional keyword, the pulse generator assumes that you intend to use the optional keyword and responds as if it had been sent.

SCPI Specific and Implied Channel

Some commands, such as PULSe, allow specifying a channel with an optional numeric keyword suffix. The suffix will be shown in square brackets [1 / 2]. The brackets are not part of command and are not to be sent to the pulse generator. The numeric parameters correspond to the following channels:

0 = To, 1 = ChA, 2 = ChB, etc. Only one channel may be specified at a time.

If you do not specify the channel number, the implied channel is specified by the :INSTrument:SELEct command or the last referenced channel. After power-up or reset (*RST), the instrument default is channel #1.

SCPI Parameter Types

The following parameter types are used:

<numeric value>	Accepts all commonly used decimal representation of numbers including optional signs, decimal points and scientific notation:
<boolean value>	123, 123e2, -123, -1.23e2, .123, 1.23e-2, 1.2300E-01 Represents a single binary condition that is either true or false. True is represented by a 1 or ON; false is represented by a 0 or OFF. Queries return 1 or 0.
<identifier>	Selects from a finite number of predefined strings.

Error Codes

The unit responds to all commands with either: ok <cr><lf> or ?n <cr><lf>

Where "n" is one of the following error codes:

- 1: Incorrect prefix, i.e. no colon or * to start command.
- 2: Missing command keyword.
- 3: Invalid command keyword.
- 4: Missing parameter.
- 5: Invalid parameter.
- 6: Query only, command needs a question mark.
- 7: Invalid query, command does not have a query form.

Programming Examples

Example 1) 20 ms pulsewidth, 2.3 ms delay, 10 Hz, internal trigger, continuous operation.

:PULSE1:STATE ON <cr> <lf>	enables channel A
:PULSE1:POL NORM <cr> <lf>	sets polarity to active high
:PULSE:WIDT 0.020 <cr> <lf>	sets pulsewidth to 20 ms
:PULSE1:DELAY 0.0023 <cr> <lf>	sets delay to 2.3 ms
:PULSE0:MODE NORM <cr> <lf>	sets system mode to continuous
:PULSE0:PER 0.1 <cr> <lf>	sets period to 100 ms (10 Hz)
:PULSE0:EXT:MODE DIS <cr> <lf>	disables the external trigger

To start the pulses use either of the following commands:

:PULSE0:STATE ON <cr> <lf>	starts the pulses
:INST:STATE ON <cr> <lf>	alternate form to start pulses.

Example 2) 25 μ s pulsewidth, 0 delay, external trigger, one pulse for every trigger.

:PULSE1:STATE ON <cr> <lf>	enables channel A
:PULSE1:POL NORM <cr> <lf>	sets polarity to active high
:PULSE:WIDT 0.000025 <cr> <lf>	sets pulsewidth to 25 μ s
:PULSE1:DELAY 0 <cr> <lf>	sets delay to 0
:PULSE0:MODE SING <cr> <lf>	sets system mode to single shot
:PULSE:EXT:MOD TRIG <cr> <lf>	sets system to external trigger
:PULS:EXT:LEV 2.5 <cr> <lf>	sets trigger level to 2.5 v
:PULS:EXT:EDGE RIS <cr> <lf>	set to trigger on rising edge

To arm the instrument in external gate mode, use either of the following commands:

:PULSE0:STATE ON <cr> <lf>	arms the instrument
:INST:STATE ON<cr><lf>	alternate form if T ₀ is currently selected

A software generated external trigger can be generated by using the following command:

*TRG <cr> <lf>	generates a software external trigger
----------------	---------------------------------------

9500+ SCPI Command Summary

Keyword	Lower-Level Keyword	Parameter	Std / New	Comments
:INSTrument			Std	Subsystem. Supports treating each channel as a logical instrument
	:CATalog?		Std	Query only. Returns a comma-separated list of the names of all channels. A two channel instrument would return: T ₀ , CHA, CHB
	:FULL?		Std	Query only. Returns a comma-separated of the names of all channels and their associated number. A two channel instrument would return: T ₀ , 0, CHA, 1, CHB, 2.
	:COMMands?		New	Query only. Returns an indented list of all SCPI commands.
	:NSElect	0 - 8 (0 refers to T ₀)	Std	Selects a channel using the channel's numeric value. All channel specific commands will refer to the selected channel.
	:SElect	T ₀ , CHA, CHB, CHC, CHD, CHE, CHF, CHG, CHH	Std	Selects a channel using the channel's identifier string. All subsequent channel specific commands will refer to the selected channel
	:STATe	0 / 1 or OFF / ON	Std	Enables/Disables the selected channel output. If T ₀ is selected, all output is affected. Enabling T ₀ is the same as pressing the RUN button

9500+ SCPI Command Summary

Keyword	Lower-Level Keyword	Lower-Level Keyword	Parameter	Std / New	Comments
:SPULSe				Std	Subsystem. Contains commands to control the output pulse generation. Commands without suffix refer to the currently selected logical instrument. See INSTRUMENT subsystem.
	:STATe		0 / 1 or OFF / ON	Std	Enables / Disables the output for all channels. Command is the same as pressing the RUN / STOP button.
	:PERiod		0.0000002s - 5000s	Std	Sets the T ₀ period.
	:MODE		NORMAl / SINGle / BURSt / DCYClE	New	Sets the T ₀ mode.
	:BCOunter		1 - 1000000	New	Burst Counter. Sets the number of pulses to generate when in burst mode.
	:PCOunter		1 - 1000000	New	Pulse Counter. Sets the number of pulses to generate during the on cycle of the Duty Cycle mode.
	:OCOunter		1 - 1000000	New	Off Counter. Number of pulses to inhibit output during the off cycle of the Duty Cycle mode.
	:EXTernal			New	Subsystem. Contains the commands to define the system use of the external input.
		:MODE	DISabled / TRIGger / GATE	New	Selects the trigger mode.
		:LEVel	0.20 - 15	New	Sets the trigger threshold. Value is in volts, with a range of 0.20 to 15 Volts.
		:EDGE	RISing / FALLing	New	Selects which edge (rising or falling) to use as the trigger signal.
		:POLarity	LOW / HIGH	New	Sets the POLarity of the gate signal. HIGH output is active when the gate signal is high. LOW output is active when the gate signal is low.

9500+ SCPI Command Summary

Keyword	Lower-Level Keyword	Lower-Level Keyword	Parameter	Std / New	Comments
:PULSe [1 / 2 / n]				Std	Subsystem. Contains commands to control the output pulse generation. Valid suffix range depends on the number of channels (ChA = 1, ChB = 2, ect). Command without suffix refers to the currently selected logical instrument. See INSTRument subsystem.
	:STATe		0 / 1 or OFF / ON	Std	Enables / Disables the output pulse for the selected channel.
	:WIDTh		0.000000004s - 1000s	Std	Sets the width or duration of the output pulse.
	:DELay		-1000s - 1000s	Std	Sets the time from the start of the T ₀ period to the first edge of the pulse.
	:SYNC		T0, CHA, CHB, CHC, CHD, ect.	New	Selects the Sync Source.
	:MUX		0 - 255	New	Selects which tmiers are enabled as outputs for the current channel. The input is a decimal representation of an 8 bit binary number (example: 255 = 1111 1111)
	:POLarity		NORMal / COMPliment / INVerted	Std	Sets the polarity of the pulse. For NORMal operation, the second nominal state is more positive that the first. COMPliment and INVerted are aliases. For both, the second state is more negative than the first.
	:OUTPut			New	Subsystem. Contains commands to control the output mode.
		:AMPLitude	2.00 - 20.00	New	Sets adjustable output level.
		:MODE	TTL / ADJustable / 35V	New	Selects output AMPLitude mode: TTL/CMOS, ADJustable, or 35 Volts.
	:CMODE		NORMal / SINGle / BURSt / DCYCLE	New	Channel Mode. Sets the channel pulse series output mode.
	:BCOunter		1 - 1000000	New	Burst Counter. Sets the number of pulses to generate when the channel is in the BURST mode.
	:PCOunter		1 - 1000000	New	Pulse Counter. Sets the number of pulses to generate during the on cycle of the Duty Cycle mode.
	:OCOunter		1 - 1000000	New	Off Counter. Number of pulses to inhibit output during the off cycle of the Duty Cycle mode.
	:CGATE		DISable / LOW / HIGH	New	Channel Gate Subsystem. Contains commands to control using the gate input to control the output channel.
	:WCOunter		1 - 1000000	New	Sets the number of T ₀ pulses to delay until enabling the output.

NOTE: Output Amplitude is limited to 20V for both standard 9500+and 8510 units.

NOTE: 35V output mode only applicable on 9500+ 35V option.

9500+ SCPI Command Summary

Keyword	Lower-Level Keyword	Lower-Level Keyword	Lower-Level Keyword	Parameter	Std / New	Comments
:SYSTem					Std	
	:STATe?				New	Query Only. Returns the state of the unit: Returns "1" if the unit is armed and/or generating pulses or "0" if the unit has been disarmed
	:BEEPer				Std	Subsystem. Controls the audible beeper.
		:STATe		0 / 1 or OFF / ON	Std	Enables / disables the beeper.
		:VOLume		0 - 100	Std	Sets the volume of the beeper. Range is 0 to 100, where 0 is off and 100 is maximum volume.
	:COMMunicate				Std	Subsystem. Controls the RS232 and GPIB interfaces.
		:GPIB			Std	Subsystem. Controls the physical configuration of the GPIB port.
			:ADDRess	1 - 15	Std	Sets the GPIB of the instrument.
		:SERial			Std	Subsystem. Controls the physical configuration of the RS232 port
			:BAUD	4800 / 9600 / 19200 / 38400 / 57600 / 115200	Std	Sets the baud rate for both receiving and transmitting using the DB9 RS232 port.
			:USB	4800 / 9600 / 19200 / 38400 / 57600 / 115200	New	Sets the baud rate for communication when using mapped comports for USB and Ethernet communication. Must be set to the default value (115200) for raw TCP/IP communication (i.e. Labview).
			:ECHO	0 / 1 or OFF / ON	New	Enables / Disables transmission of characters received on the DB9 serial port.
	:KLOCK			0 / 1 or OFF / ON	New	Locks the keypad.
	:AUTorun			0 / 1 or OFF / ON	New	After power-up, the unit will start generating pulses automatically.
	:VERSion?				New	Query only. Returns SCPI version number in the form: YYYY.V (ex. 1999.0)
	:SERNumber?				Std	Query only. Returns the serial number of the unit.

Keyword	Lower-Level Keyword	Parameter	Std / New	Comments
:DISPlay			Std	Subsystem. Contains commands to control the display.
	:MODe	0 / 1 or OFF / ON	New	Enables / Disables automatic display update. When true, front panel display is updated with serial command parameter changes. Setting to false (0) decreases response time.
	:UPDate?		New	Query only. Forces update of display. Use when mode is false.
	:BRIGhtness	0 - 4	New	Controls intensity of display. Range is 0 to 4, where 0 is off and 4 is full intensity.

NOTE: DISPlay commands are considered irrelevant for the 8510 series.

IEEE 488.2 Common Commands

Mnemonic	Command Name	Parameter	Comments
*IDN?	Identification Query		Queries the pulse generator identification. The ID will be in the following format: model# - #channels - option# - version#
*RCL	Recall Command	0 - 12	Restores the state of the pulse generator from a copy stored in local nonvolatile memory (0 through 12 are valid memory blocks).
*RST	Reset Command		Resets the pulse generator to the default state.
*SAV	Save Command	1 - 12	Stores the current state of the pulse generator in local nonvolatile memory (1 through 12 are valid memory blocks).
*TRG	Trigger		Generates a software trigger pulse. Operation is the same as receiving an external trigger pulse.
*LBL	Setup Label	? or "string value"	The <?> is used to query the label of the last saved or recalled configuration. The string must be in double quotes and no longer than 14 characters. Command must be followed by a *sav [1 / 2 / n] command to take effect. Note: to see the label on the screen a display update or reboot must take place

Appendix A - Specifications

PULSE GENERATION

CHANNELS	2, 4 or 8 independent outputs, with digitally controlled delay and pulsewidth
MODES	normal, single, shot, burst, duty cycle
MULTIPLEXER	combine any of the channels
DELAY	0 - 1000 sec
PULSEWIDTH	10 ns - 1000 sec
RESOLUTION	1 ns
ACCURACY	1.5 ns + .0001 x setpoint
TIMEBASE	50 MHz, 25 PPM
RMS Jitter	< 400 ps
BURST MODE	1 - 1,000,000 pulses

EXTERNAL TRIG / GATE

RATE	DC -5 MHz
THRESHOLD	200 mV - 15 V
INPUT RANGE	0 - 30 V
TRIGGER SLOPE	rising or falling edge
RMS JITTER	< 5 ns
INSERTION DELAY	< 150 ns

INTERNAL RATE GENERATOR

MODES	single shot, burst, continuous, duty cycle
RATE (T_0 period)	200 ns to 5000 sec (.0002 Hz to 5 MHz)
RESOLUTION	10 ns
ACCURACY	1 ns + .0001 x period
RMS JITTER	< 250 ps
BURST MODE	1 to 1,000,000 pulses

OUTPUTS

IMPEDANCE	50 Ohms
RISE TIME	3ns typ TTL 15ns typ @ 20V (high imp) Adj 25 ns typ @ 10V (50 ohms) Adj
SLEW RATE	>0.5 V/ns TTL >0.1 V/ns Adj
OVERSHOOT	< 100 mV + 10% of pulse amplitude

AMPLITUDE Adjustable Mode:
 1 - 10 V into 50 Ohms load
 2 - 20 V into high impedance load
Typical Performance in TTL/CMOS Mode:
 ~ 1.7 V into 50 Ohms load
 ~ 4.8 V into high impedance load

COMPUTER INTERFACE

RS232 4800, 9600, 19200, 38400, 57600, 115200 Baud.
 All instrument functions and settings may be controlled over the interface bus.

GPIB IEEE 488.2

USB v 1.0

ETHERNET Optional.

GENERAL

STORAGE 12 bins

DIMENSIONS 10.5" x 8.25" x 5.5" WEIGHT 8 lbs

POWER 20 Watts
 100 - 240 VAC
 47 - 63 Hz
 <1 A

FUSE (Qty 2) 630 mA, 250 V Time-lag

Appendix B - Special Functions

35 Volt Output

For units with the optional 35 volt output, additional BNC connectors are provided on the rear panel. The 35 volt output can be enabled independently for each of the channels from the channel output mode menus. When enabled, the rear panel outputs will provide an adjustable output from 5 volts to 40 volts and the timing will be calibrated to all other channels. The front panel output will be in the TTL/CMOS mode. However, the timing will not be as accurate as the unit is using the 35 volt calibration factors. Typically, the rising edge is within 10 ns but the pulsewidth is off by over 200 ns. The pulsewidth can be set over the standard range of the unit to allow full use of the front panel outputs, but the 35 volt output will self limit to approximately 4 us with some droop. To maintain the highest possible rise time, care must be taken with cabling and termination.

Low capacitance cable and 50 ohm termination will provide the fastest rise times without overshoot. Faster rise times can be achieved by increasing the termination resistance, but some overshoot is likely to occur.

Keyword	Lower-Level Keyword	Parameter	Std / New	Comments
:PULSe [1 / 2 / n]			Std	Subsystem. Contains commands to control the output pulse generation. Valid suffix range depends on the number of channels (ChA = 1, ChB = 2, etc). Command without suffix refers to the currently selected logical instrument. See INSTRUMENT subsystem.
	:MODE	TTL / ADJustable / 35 V	New	Selects output mode: TTL?CMOS, Adjustable, or 35 Volt.
	:AMPLitude	2.00 - 35.00	New	Sets Adjustable output level. Note that 35 V option AMPLitude can only be set when channel is in 35 V mode.

NOTE: The 35 V output frequency is limited to less than 1000 Hz.

35 V Specifications

OUTPUT AMPLITUDE

Resolution	200 mV
Accuracy	200 mV

T Option

System Period

The minimum period is 50 ns (20 MHz max frequency). The maximum period is 10 s (.1 Hz frequency).

Pulse Range Limitations

The maximum pulse width is 5 s. The maximum pulse delay is 5 s

Multiplexer

Multiplexing differs from the base model as follows:

1. Multiplexing is implemented in channel pairs. Channel A and B are paired, Channel C and D, etc. The enable and disable parameter for each channel turns on and off inclusion of the internal pulse of the other channel in the pair for the current channel's output.
2. The SCPI command for the multiplex parameter use a string "ENABLE" or "DISable". For example, ":PULS1:MUX ENAB\n" causes Channel B's internal pulse to be present on Channel A's output.

Channel Menus

Timing Parameters	Pulse Configurations	Channel Mode	Gate/Mux
Enable	Enable	Enable	Enable
Sync Source	Polarity	Mode	Max Enable
Pulsewidth	Output Type	On Cycle	Gate Enable
Delay	Output Level	Off Cycle / Burst	Wait

Clock In/Clock Out

The "T" option pulse generator has Clock In and Clock Out functionality to allow synchronization of several instruments to an industry standard 10 MHz signal. The rear panel of the unit has BNC connectors for Clock In and Clock Out signals.

The "Clock In" BNC connector allows synchronization of the unit's timers to a signal generated externally. When the Clock In is enabled, a 10 MHz pulse must be present on the Clock in BNC for the unit to generate pulses.

The "Clock Out" BNC connector will output a signal dependent on the current configuration. If the "Clock In" parameter is enabled, the 10 MHz signal present on the Clock In BNC will also be present (and synchronized) on the Clock Out connector. If Clock In is disabled and Clock Out is enabled, the 9500+T will generate and output a 10 MHz signal intended for synchronizing other instruments. If the Clock Out parameter is disabled, the system pulse (T) will be present on the output BNC connector, showing whatever frequency is being generated in the current setup.

Mode Menu

To access the Oscillator menu unique to the "T" option instrument, press the "Function-Mode" key sequence twice. The first set will enter into the standard channel mode menu, and the second sequence will enter the Clock In/Out menu.

To Mode	Oscillator Menu
System Mode	Oscillator Out Enable
	Oscillator In Enable

Serial Commands

Keyword	Lower-Level Keyword	Parameter	Std / New	Comments
:SPULSe				
	:ICLock	0 / 1 or OFF / ON	New	Enables / Disables lock to 10 MHz signal. Can be set to "1" or "0" (Enable or Disable, respectively). Query returns "
	:OCLock	0 / 1 or OFF / ON	New	Enables / Disables output 10 MHz signal. Can be set to "1" or "0" (Enables or Disable, respectively). Query returns "Enabled" or "Disabled"
:PULSe [1 / 2n]				
	:MUX	ENABLE / DISable	New	Enables / Disables Multiplexing. Multiplexing is implemented in channel pairs. Channel A can be combined with Channel B, just as Channel C can be combined with Channel D, etc.

Clock IN / Clock Out Signal Specifications

Frequency: 10 MHz +/-25 PPM

Duty Cycle: 50% +/-5%

Level (In & Out): TTL/CMOS

Deviations from 9500+ Specifications

PULSE GENERATION

Multiplexer Described on p. 1 of this Appendix.

Delay 0 - 5 s

Pulsewidth 10 ns - 5 s

INTERNAL RATE GENERATOR

Rate (T_0 PERIOD) 50 ns to 1000 s (.0002 Hz to 20 MHz)

Optical Outputs and Inputs

The optical output model differs from the standard units as follows:

Optical Outputs: The optical outputs utilize Agilent HFBR-1412 optical connectors. Complete specifications can be downloaded from Avago Technology's website (www.avagotech.com). Pertinent specifications are:

- Wavelength: 820 nm
- Signal rates up to 5 MBd
- Link distances up to 1.5 km
- ST connector type
- Resolution: 500 ps
- Accuracy: 1 ns + .0001 x Delay

Optical Inputs: - Wavelength: 820 nm

- Signal rates up to 5 MBd
- Link distances up to 1.5 km
- ST connector type
- Resolution: 500 ps
- Accuracy: 2 ns + .0001 x Delay
- Optical Trigger: 2412
- Trigger Delay: < 300 ns
- Jitter: <15 ns

System Mode: Increment

The System Increment modes are a pair of special modes, which allow the delay and width of each channel to be incremented at the end of a burst of pulses. Each channel is independent and each may be set with different initial values and different values for the step size for both the delay and the pulsewidth. There are two incrementing modes, Increment and DC Increment. In the Increment mode, each start command or external trigger produces a burst of pulses. At the end of the burst the appropriate delays and pulsewidths are incremented and the instrument is armed for the next start command. In the DC Increment (Duty Cycle) mode the output is starting as with the normal duty cycle mode. At the end of each cycle the delays and pulsewidths are incremented. This continues for the number of cycles defined by the Cycles parameter. The modes are selected from the system mode menu. The step sizes are specified in the channel menus. The Increment function is used as follows:

- Select 'Increment' in the system mode menu and set the number of pulses in a burst..
- Set the step size for both the delay and pulsewidth in the channel menus.
- Reset and initialize the parameters by pressing Function-CLR.

- To operate manually:
 - Press the RUN button to generate a set of pulses.
 - Press Function-CLR to reset the delay and pulsewidths to their original values.
- To operate with external trigger:
 - Enable external trigger.
 - Press the RUN button to arm the pulse generator.
 - Apply external trigger to generate a set of pulses.
 - Press Function-CLR to reset the delay and pulsewidths to their original values.

The DC Increment function is used as follows:

- Select 'DC Increment' in the system mode menu and set the number of pulses ON pulse and the number of OFF pulses per cycle. Select the next Mode menu to set the number of Cycles.
- Set the step size for both the delay and pulsewidth in the channel menus.
- Reset and initialize the parameters by pressing Function-CLR.
- To operate manually:
 - Press the RUN button to generate a complete set of pulses.
 - Press Function-CLR to reset the delay and pulsewidths to their original values.
- To operate with external trigger.
 - Enable external trigger.
 - Press the RUN button to arm the pulse generator.
 - Apply external trigger to start the duty cycle mode. Output will continue until the number of cycles specified has been produced.

Reference Clock

An input and output were added for a 10MHz reference clock. The input replaces the internal clock and allows multiple pulse generators to share the same clock.

Function-CLR: Pressing the 'FUNCTION' key then 'CLR' initializes the increment parameters and, resets the delays and pulsewidths to their initial conditions. This must be pressed after setting all the step parameters, but before generating any pulses.

MENU Additions

Mode Menu

Mode: Added 'Increment' and 'DC Increment' to mode choices.

CYCLES: Added cycles in the DC Increment mode. (Additional page available when DC Increment mode is

selected.)

Rate Menu

Source: Selects the reference clock source input as either the internal System clock or an external user supplied reference clock input of up to 10MHz.

Osc Out: Enables/disables the reference clock output. When the Source is set as External this output contains the external reference clock input, when the Source is set as System this output contains the To internal system pulse.

Channel Menu

WidInc: Sets the step size for the pulsewidth increment.
Range: -0.100s to 0.100s (0 = disabled)

DlyInc: Sets the step size for the delay increment.
Range: -0.100s to 0.100s (0 = disabled)

Note: Any increment value > -10ns and < 10ns will disable the increment function for that parameter.

COMMAND Additions

:PULSe0:MODE Added INCRement and DCINcrement as new parameters.

:PULSe0:IRESet 1 Added IRESET command to initialize and reset the increment parameters

:PULSe0:PCOunter # Added Pulse Counts command to set the number of on/On pulses to generate in DC Increment mode.

:PULSe0:OCOunter # Added Off Counts command to set the number of on/Off pulses to generate in DC Increment mode.

:PULSe0:CYCLE # Added CYCLES command to set the number of cycles to generate in the DC Increment mode.

:PULSe0:ICLock # Enables/disables the clock input.

:PULSe0:OCLock # Enables/disables the clock output.

:PULSe#:IWIDth # Added IWIDTH command to set the pulsewidth step

size.
Range: -0.100000000s – 0.100000000s

:PULSe#:IDELay # Added IDELAY command to set the delay step size.
Range: -0.100000000s – 0.100000000s

Specifications

Width Step Size	-100ms to 100ms
Width Minimum Step	10ns (-10ns)
Width Step Resolution	1ns
Width Incremented Range	10,000s

Delay Step Size	-100ms to 100ms
Delay Minimum Step	10ns (-10ns)
Delay Step Resolution	1ns
Delay Incremented Range	10,000s

On Pulses (DC Increment Mode)	1,000,000
Pulses Off Pulses (DC Increment Mode)	1,000,000
Pulses Cycles (DC Increment Mode)	10,000
Cycles	

Update Rate	10us + 30us per active channel (1 Ch @ 25kHz to 8 Ch @ 4kHz)
-------------	---

Trigger/Gate Option

The trigger/Gate option adds a second external input to the rear panel of the 9500+ family of pulse generators. The added input is an optoisolated signal that can be used as a gate or trigger for either the system or the channels. Either input may be specified as the channel gate input and the remaining input will then be assigned as the system trigger/gate input. All other 9500+ pulse generator functionality stays the same.

Specifications

New Input	
Optoisolated Voltage	2v to
15v Current	4 mA

Appendix C - COM

Ethernet Interface Overview

An Ethernet interface is optional on the 9500+. When this option is chosen, the USB port is replaced by the Ethernet port.

The Ethernet module used is a “Digi Connect ME” module supplied by Digi Connectware, Inc. There are several ways to successfully communicate with the pulse generator over Ethernet. The two most popular methods are raw TCP/IP (such as Labview or programming with VISA libraries) and by mapping a pc COM port using the Digi Connectware’s “Realport Drivers”.

Whatever method of Ethernet communication is ultimately desired, the utilities supplied by Digi Connectware (included on the cd shipped with the Ethernet- option Pulse Generator) will be critical to implementing the communications. Please install the following utilities:

Ethernet Communication Notes:

- The Digi Connectware’s “Digi Device Discovery” can be used to determine what IP address was assigned by the local DHCP server (if any).
- “Digi Device Discovery” can also be used to open a web interface to the Ethernet module. Simply double-click on the IP address that is displayed in the Digi Device Discovery utility.

Username: “root”
Password: “dbps”

- If a mapped COM port is the desired communication method, the Digi Connectware’s “Realport Drivers” setup must be used to install the COM port on the pc. The virtual COM port is then local to the computer it was installed on. Please refer to the Digi Connectware Documentation supplied on the CD, or call Quantum Composers Technical Support.
- The pulse generator’s SCPI parameter “.SYSTEM:COMMunicate:SERial:USB n” is defaulted to 115200 and should not be changed for Ethernet communication, whether or not a mapped COM port is used. The virtual COM port on the pc should be set to 115200 BAUD.
- Echo functionality is not available on the Ethernet port.

Appendix D – 8510 Option

8510 Board Level Overview

The 8510 is a board level, digital pulse generator based on the 9500+ series in terms of specifications, communications, and overall functionality. The 8510 is available with 2, 4, or 8 independent outputs for synchronizing multiple events. All communications take place through RS232, USB, or GPIB as there is no keypad/display interface included. Like the 9500+, the 8510 is capable of generating multiple pulses and triggers for all applications; although, additional setup is required before basic operation may begin.

Mounting & Communications

- Care should be taken in mounting the 8510 board. As no mounting holes are included, it is recommended that card guide mounts (or equivalent) be used. Mechanical clearances can be seen below in Figure 1. Care should be taken to ensure that no foreign conductive material makes contact with *either* side of the 8510 board to eliminate destructive electrical shorting.
- **All** communications take place through a RS232, USB, or GPIB interface with the use of Standard Commands for Programmable Instruments (SCPI) command structure. Reference the SCPI command section for more information regarding the implementation of SCPI syntax allowing for complete 8510 board control.

NOTE: All Display commands should not be used when operating the 8510 as no display interface is included.

Required Connections

- The 8510 must be supplied with +5VDC and +24VDC via connector J20.*
- The power switch connector at J5 must have the pins shorted together for power to be supplied to the board.
NOTE: This connector comes jumpered.
- The 8510 channel outputs are individually labeled and can be seen below in Figure 2.
- All other specified connectors shown in Figure 2 can be used for the implementation of additional features, but are not required during basic setup and pulsing.

*A recommended +5VDC/+24VDC power supply may be included for an additional cost.

Board Level Connection Information

Power Connection (J20)

- Molex 4 pin female C-grid (Molex #50-57-9404). Contacts, Molex #16-02-0103.

Number	Name	Type	Specification
1 (denoted by arrow)	+5VDC Supply	Power Input	+5VDC +/-100mV @ 1.2A max*
2	Ground	Power Return	0V power supply return
3	Ground	Power Return	0V power supply return
4	+24VDC Supply	Power Input	+24VDC +/- 200mV @ 1.5A max*

*Worst case current when driving all outputs into 50 ohm loads.

Power Switch (J5)

- Molex 2 pin female C-grid (Molex #50-57-9402) Contacts, Molex #16-02-0103.

NOTE: this connector comes jumpered. Pins 1 and 2 can be opened and closed (shorted) to control power supply to unit. Closed = power on, Open = power off.

RS232 Connection (J16)

- Standard density D-Sub male connector.

Number	Name
1	No Connection
2	Tx – Transmit (To PC)
3	Rx – Receive (From PC)
4	DTR – Connected to pin 6
5	Ground
6	DSR – Connected to pin 4
7	RTS – Connected to pin 8
8	CTS – Connected to pin 7
9	No Connection

USB Connection (J21)

- USB Type B

Number	Name
1	USB Vbus +
2	USB Data-
3	USB Data+
4	USB Ground

GPIB Connection (J22)

- Standard IEEE 488 24 pin connector

Number	Name
1	Data I/O 1
2	Data I/O 2
3	Data I/O 3
4	Data I/O 4
5	EOI
6	DAV
7	NRFD
8	NDAC
9	IFC
10	SRQ
11	ATN
12	Shield
13	Data I/O 5
14	Data I/O 6
15	Data I/O 7
16	Data I/O 8
17	REN
18	Ground
19	Ground
20	Ground
21	Ground
22	Ground
23	Ground
24	Ground

External Trigger/Gate (J3)

- Molex 2 pin female C-grid (Molex #50-57-9402). Contacts, Molex #16-02-0103.

Number	Name
1	Trigger/Gate input signal (0-30VDC)
2	Ground

Ch A (J8), Ch B (J9), Ch C (J6), Ch D (J7), Ch E (J10), Ch F (J11), Ch G (J12), Ch H (J13)

- Molex 2 pin female C-grid (Molex #50-57-9402). Contacts, Molex #16-02-0103.

Number	Name
1	Positive channel output signal (TTL 5V or 2-20V Adj)
2	Ground

Clock Out (J2)

- Molex 2 pin female C-grid (Molex #50-57-9402). Contacts, Molex #16-02-0103.

Number	Name
1	Clock output reference (TTL 5V)
2	Ground

Clock In (J1)

- Molex 2 pin female C-grid (Molex #50-57-9402). Contacts, Molex #16-02-0103.

Number	Name
1	External clock input (TTL 5V)
2	Ground

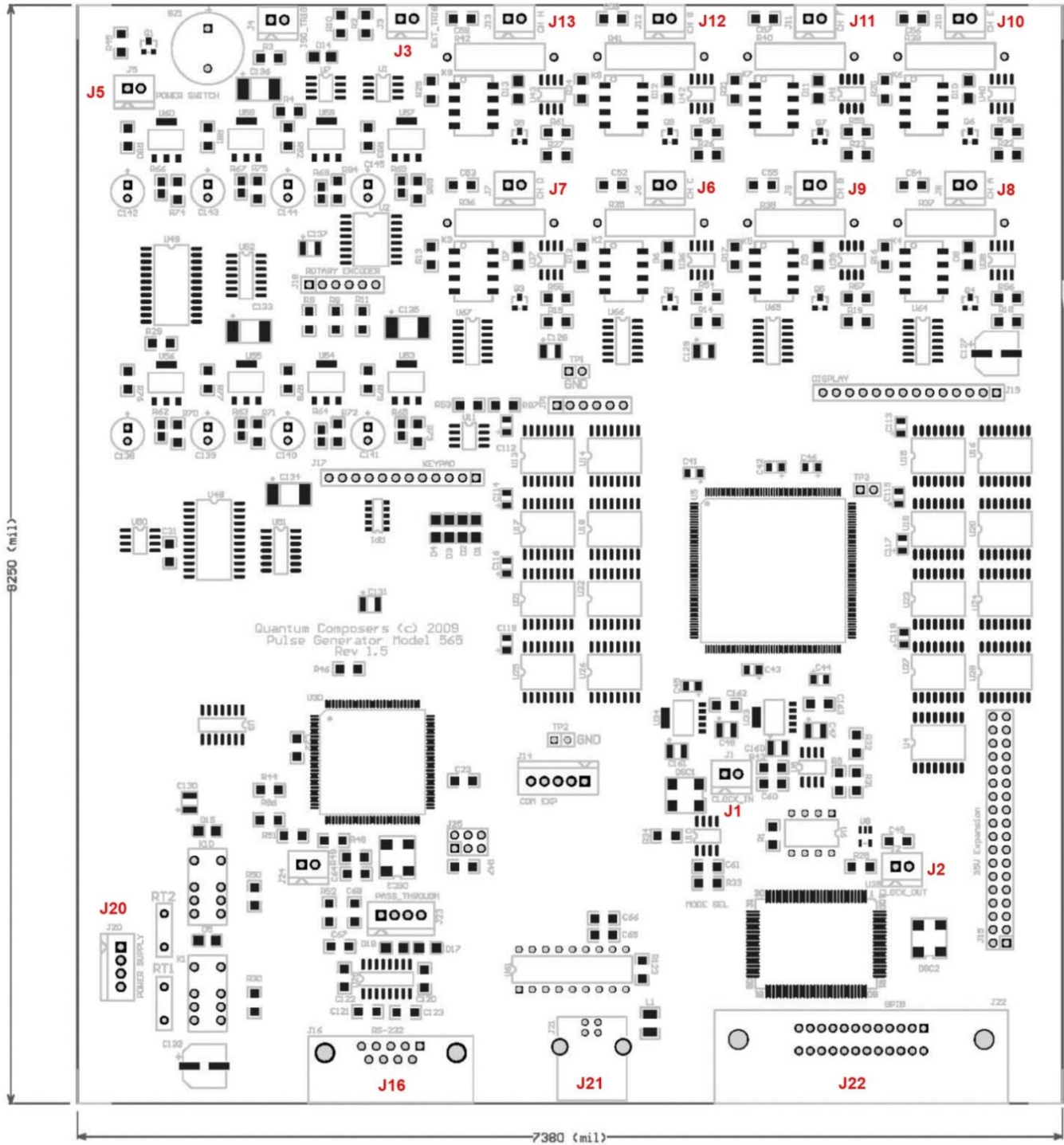


Figure 2 – Component/Connector layout