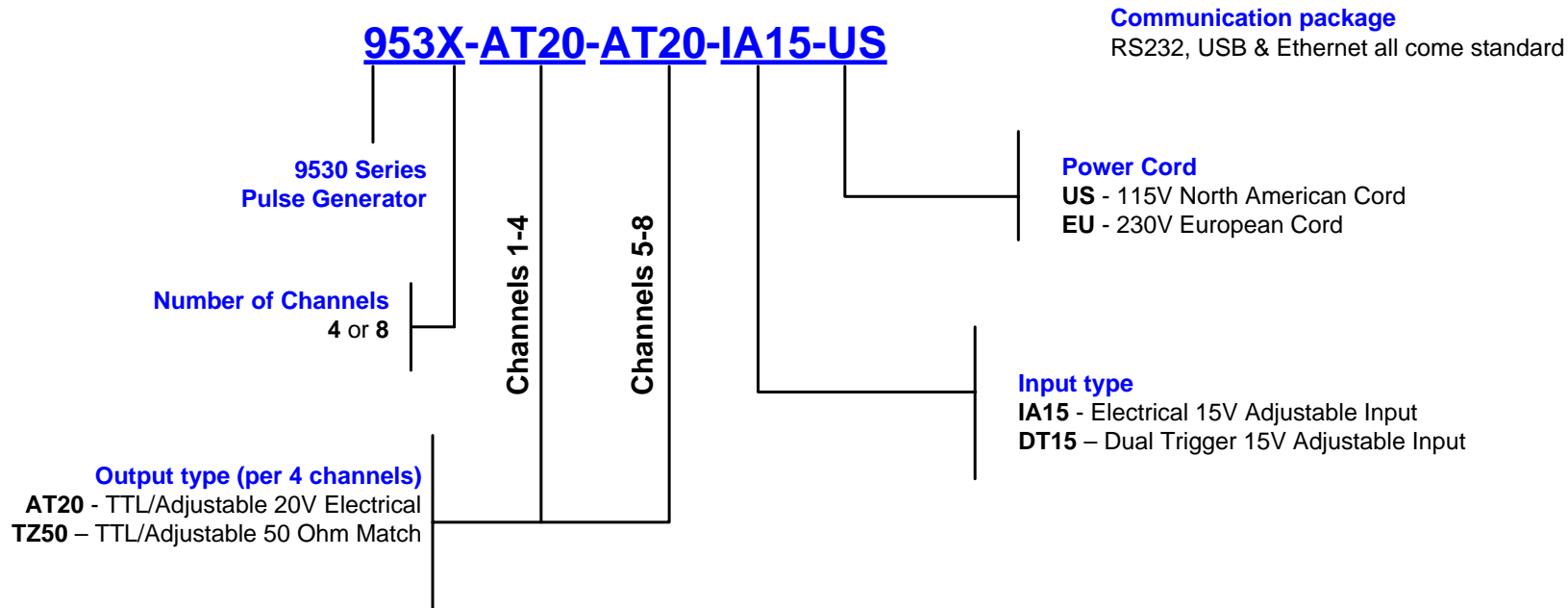


Appendix B - Ordering Information

9530 Series Pulse Generator Part Numbering



Examples

9528-AT20-TZ50-IA15-EU: 8 Channel, 4 Outputs w/ 20V max, 4 Outputs w/ 20V max & 50 Ohm Match, Electrical inputs, European power cord

9534-AT20-IA15-US: 4 Channel, all 20V max outputs, Electrical inputs, US power cord